

AS PER KSD-02-027

ALL INFORMATION CONTAINED IN THIS DOCUMENT IS CONFIDENTIAL AND THE PROPERTY OF KIRLOSKAR ELECTRIC CO. LTD. REPRODUCTION OF THESE IN ANY FORM IS TO BE DONE WITH THE SPECIFIC PERMISSION OF THE COMPANY.

UNMENTIONED

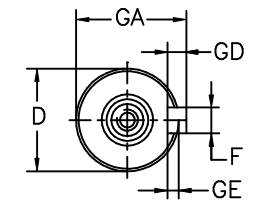
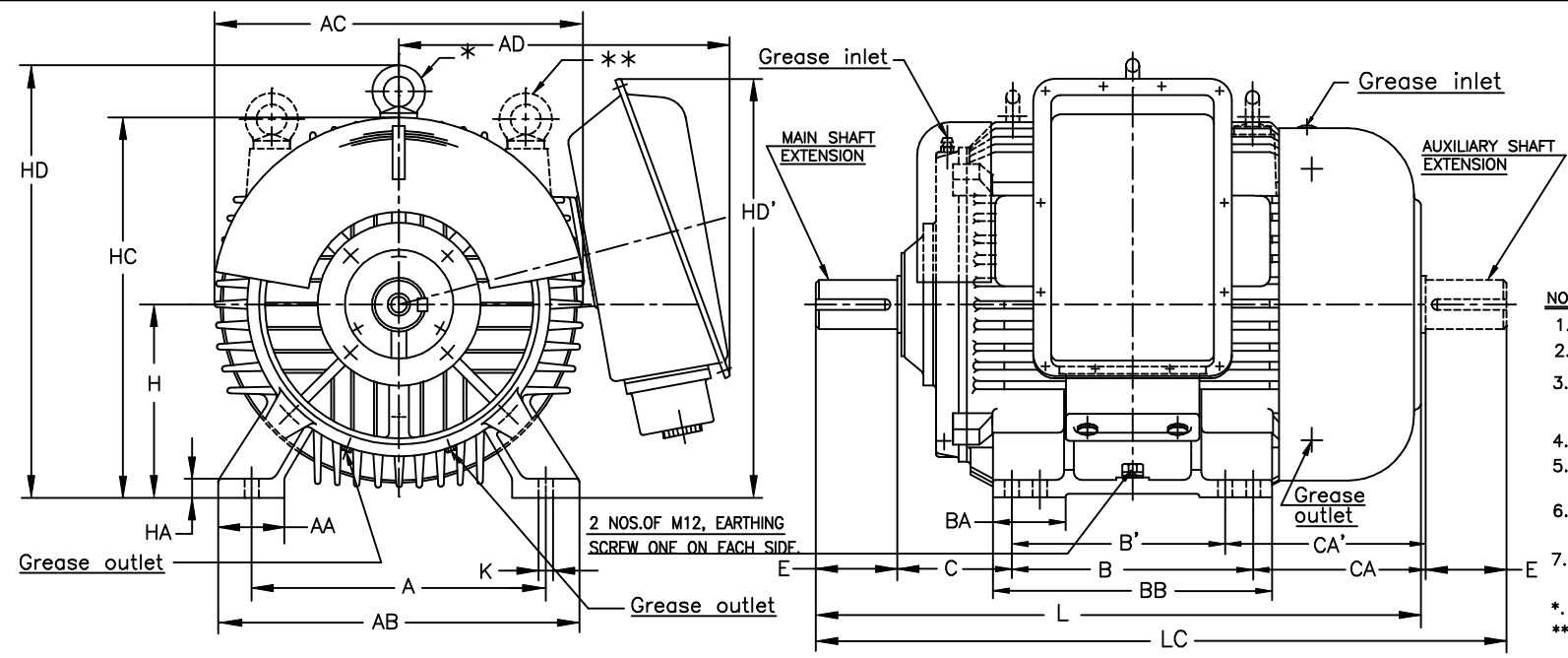
ANGLES ± 1/2°
LINEAR DIMENSIONS (MACHINED)
TOLERANCE

REV.	ZONE
8	7

DO NOT SCALE THE DRAWING

ALL DIMENSIONS ARE IN mm UNLESS OTHERWISE STATED

REMOVE ALL BURRS AND SHARP EDGES



DETAILS OF MAIN AND AUXILIARY SHAFT EXTENSION.

- NOTE:-**
- DIMENSIONS ARE AS PER I.S.1231.
 - DEGREE OF PROTECTION: IP:55.
 - TOLERANCE ON H:- FOR 250 $+0.0$ -0.5
FOR 280 AND 315 $+0.0$ -1.0
 - TOLERANCE ON "D" :- m6.
 - MAIN AND AUXILIARY SHAFT EXTENSIONS ARE IDENTICAL.
 - PROTECTED CENTER HOLE "M20x40" DEEP AS PER IS:2540 AT SHAFT EXTENSION.
 - TERMINAL BOX CAN BE ROTATED THROUGH 360° IN STEPS OF 90°
 - LIFTING HOOK FOR 250 & 280 FRAMES
 - LIFTING HOOKS FOR 315 FRAME.

eSC/nSC315L	4,6&8	508	120	630	640	645	-	508	170	656	216	-	421	80	170	22	85	14	9	315	40	-	-	720	28	1305	1485
eSC/nSC315L	2	508	120	630	640	645	-	508	170	656	216	-	421	65	140	18	69	11	7	315	40	-	-	720	28	1275	1425
eSC/nSC315M	4,6&8	508	120	630	640	645	457	-	150	537	216	352	-	80	170	22	85	14	9	315	40	-	-	720	28	1185	1365
eSC/nSC315M	2	508	120	630	640	645	457	-	150	537	216	352	-	65	140	18	69	11	7	315	40	-	-	720	28	1155	1305
eSC/nSC315S	4,6&8	508	120	630	640	645	-	406	150	537	216	-	403	80	170	22	85	14	9	315	40	-	-	720	28	1185	1365
eSC/nSC315S	2	508	120	630	640	645	-	406	150	537	216	-	403	65	140	18	69	11	7	315	40	-	-	720	28	1155	1305
eSC/nSC280M	4,6&8	457	100	550	580	530	419	-	100	490	190	296	-	75	140	20	79.5	12	7.5	280	35	575	655	-	24	1035	1185
eSC/nSC280M	2	457	100	550	580	530	419	-	100	490	190	296	-	65	140	18	69	11	7	280	35	575	655	-	24	1035	1185
eSC/nSC280S	4,6&8	457	100	550	580	530	368	-	100	439	190	297	-	75	140	20	79.5	12	7.5	280	35	575	655	-	24	985	1135
eSC/nSC280S	2	457	100	550	580	530	368	-	100	439	190	297	-	65	140	18	69	11	7	280	35	575	655	-	24	985	1135
eSC/nSC250M	4,6&8	406	90	500	535	510	349	-	125	419	168	273	-	65	140	18	69	11	7	250	32	522	605	-	24	920	1070
eSC/nSC250M	2	406	90	500	535	510	349	-	125	419	168	273	-	60	140	18	64	11	7	250	32	522	605	-	24	920	1070
eSC/nSC250S	4,6&8	406	90	500	535	510	-	311	125	419	168	-	311	65	140	18	69	11	7	250	32	522	605	-	24	920	1070
eSC/nSC250S	2	406	90	500	535	510	-	311	125	419	168	-	311	60	140	18	64	11	7	250	32	522	605	-	24	920	1070
FRAME	POLE	A	AA	AB	AC	AD	B	B'	BA	BB	C	CA	CA'	D	E	F	GA	GD	GE	H	HA	HC	HD	HD'	K	L	LC

THIS SUPERSEDES FROM dt SIGN & dt.

THIS SUPERSEDED BY FROM dt SIGN & dt.

MATERIAL SPECIFICATION	RAW MATERIAL SIZE	WEIGHT kg	
		RM	FIN.
-	-	-	-

CASTING/FAB REF. No.P.S.

USED ON

eSC/nSC 250 TO 315

TITLE: **DIMENSIONAL DRAWING**

31113498

SHEET NO. ONE OF ONE

SCALE NTS

DRAWN	CHECKED	APPROVED
sd/-	sd/-	sd/-
dt. 98/11/02	dt. 98/11/02	dt. 98/11/02

SHOP II MKTG.AC.M

PRINTS ISSUED TO

KIRLOSKAR ELECTRIC COMPANY LTD. BANGALORE - 560055 (INDIA)

FORM No. 1140T033