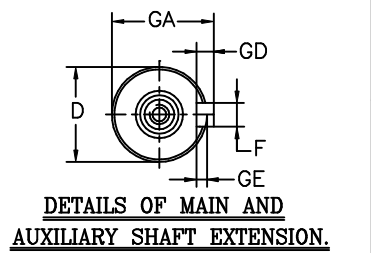
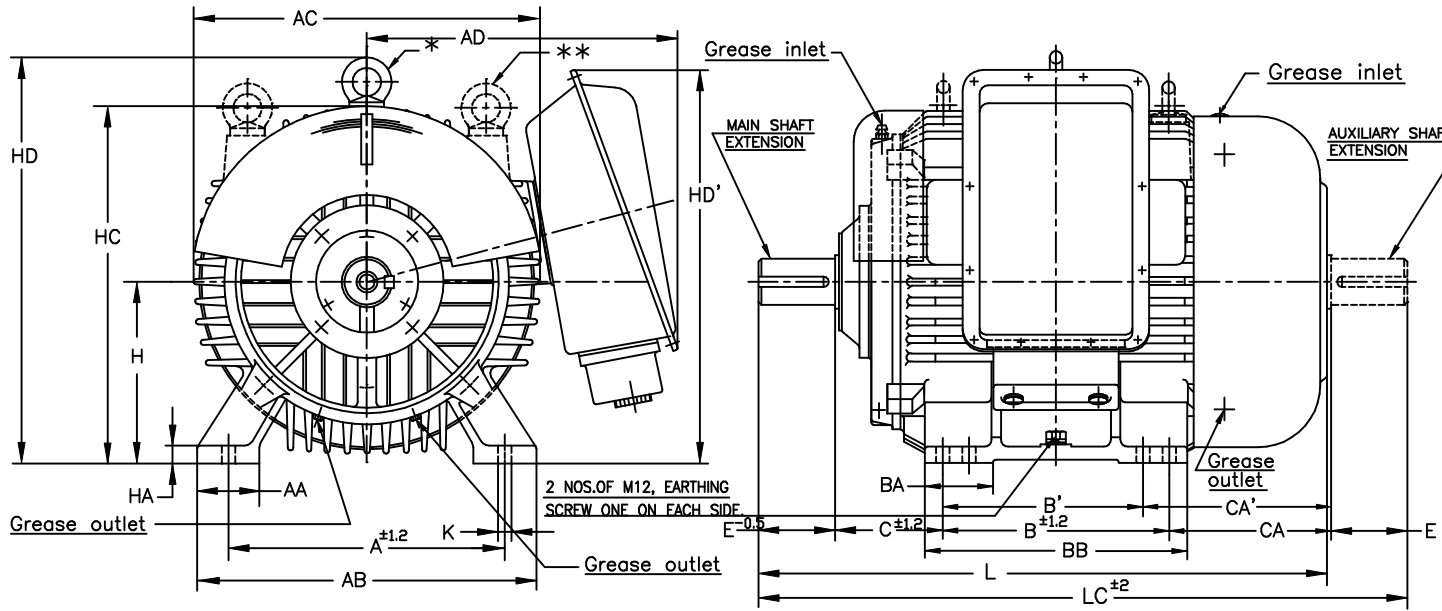


AS PER KSD-02-027

ALL INFORMATION CONTAINED IN THIS DOCUMENT IS CONFIDENTIAL AND THE PROPERTY OF KIRLOSKAR ELECTRIC CO. LTD. REPRODUCTION OF THESE IN ANY FORM IS TO BE DONE WITH THE SPECIFIC PERMISSION OF THE COMPANY.

UNMENTIONED ANGLES ± 1/2°  
 RAD: 0 6 315 1000 2000 4000  
 UC: 6 315 1000 2000 4000 8000  
 CHAM: ±0.2 ±0.5 ±0.8 ±1.2 ±3  
 ABOVE UFTO TOLERANCE ±0.2 ±0.5 ±0.8 ±1.2 ±3



- NOTE:-**
- DIMENSIONS ARE AS PER I.S.1231.
  - DEGREE OF PROTECTION: IP:55.
  - TOLERANCE ON H:- FOR 250 +0.0 -0.5  
FOR 280 AND 315 +0.0 -1.0
  - TOLERANCE ON "D" :- m6.
  - MAIN AND AUXILIARY SHAFT EXTENSIONS ARE IDENTICAL.
  - PROTECTED CENTER HOLE "M20x40" DEEP AS PER IS:2540 AT SHAFT EXTENSION.
  - TERMINAL BOX CAN BE ROTATED THROUGH 360° IN STEPS OF 90°
  - LIFTING HOOK FOR 250 & 280 FRAMES
  - LIFTING HOOKS FOR 315 FRAME.

SC315L	4,6&8	508	120	630	640	645	-	508	170	656	216	-	421	80	170	22	85	14	9	315	40	-	-	720	28	1305	1485
SC315L	2	508	120	630	640	645	-	508	170	656	216	-	421	65	140	18	69	11	7	315	40	-	-	720	28	1275	1425
SC315M	4,6&8	508	120	630	640	645	457	-	150	537	216	352	-	80	170	22	85	14	9	315	40	-	-	720	28	1185	1365
SC315M	2	508	120	630	640	645	457	-	150	537	216	352	-	65	140	18	69	11	7	315	40	-	-	720	28	1155	1305
SC315S	4,6&8	508	120	630	640	645	-	406	150	537	216	-	403	80	170	22	85	14	9	315	40	-	-	720	28	1185	1365
SC315S	2	508	120	630	640	645	-	406	150	537	216	-	403	65	140	18	69	11	7	315	40	-	-	720	28	1155	1305
SC280M	4,6&8	457	100	550	580	530	419	-	100	490	190	296	-	75	140	20	79.5	12	7.5	280	35	575	655	-	24	1035	1185
SC280M	2	457	100	550	580	530	419	-	100	490	190	296	-	65	140	18	69	11	7	280	35	575	655	-	24	1035	1185
SC280S	4,6&8	457	100	550	580	530	368	-	100	439	190	297	-	75	140	20	79.5	12	7.5	280	35	575	655	-	24	985	1135
SC280S	2	457	100	550	580	530	368	-	100	439	190	297	-	65	140	18	69	11	7	280	35	575	655	-	24	985	1135
SC250M	4,6&8	406	90	500	535	510	349	-	125	419	168	273	-	65	140	18	69	11	7	250	32	522	605	-	24	920	1070
SC250M	2	406	90	500	535	510	349	-	125	419	168	273	-	60	140	18	64	11	7	250	32	522	605	-	24	920	1070
SC250S	4,6&8	406	90	500	535	510	-	311	125	419	168	-	311	65	140	18	69	11	7	250	32	522	605	-	24	920	1070
SC250S	2	406	90	500	535	510	-	311	125	419	168	-	311	60	140	18	64	11	7	250	32	522	605	-	24	920	1070
FRAME	POLE	A	AA	AB	AC	AD	B	B'	BA	BB	C	CA	CA'	D	E	F	GA	GD	GE	H	HA	HC	HD	HD'	K	L	LC

THIS SUPERSEDES ..... FROM dt. .... SIGN & dt. ....  
 THIS SUPERSEDED BY ..... FROM dt. .... SIGN & dt. ....

MATERIAL SPECIFICATION	RAW MATERIAL SIZE	WEIGHT kg
-	-	RM FIN.
CASTING/FAB REF.	No.P.S.	SCALE NTS

USED ON: SC 250 TO 315

DRAWN	CHECKED	APPROVED
-Sd-	-Sd-	-Sd-
dt. 98/11/02	dt. 98/11/02	dt. 98/11/02

TITLE: DIMENSIONAL DRAWING 31113198

SHEET NO. ONE OF ONE

KIRLOSKAR ELECTRIC COMPANY LTD. BANGALORE - 560055 (INDIA)



REV.	ZONE	BRIEF RECORD	SIGNATURE	DATE	SHOP II
8	7	6	5		MKTG.AC.M

FORM No. 11401033