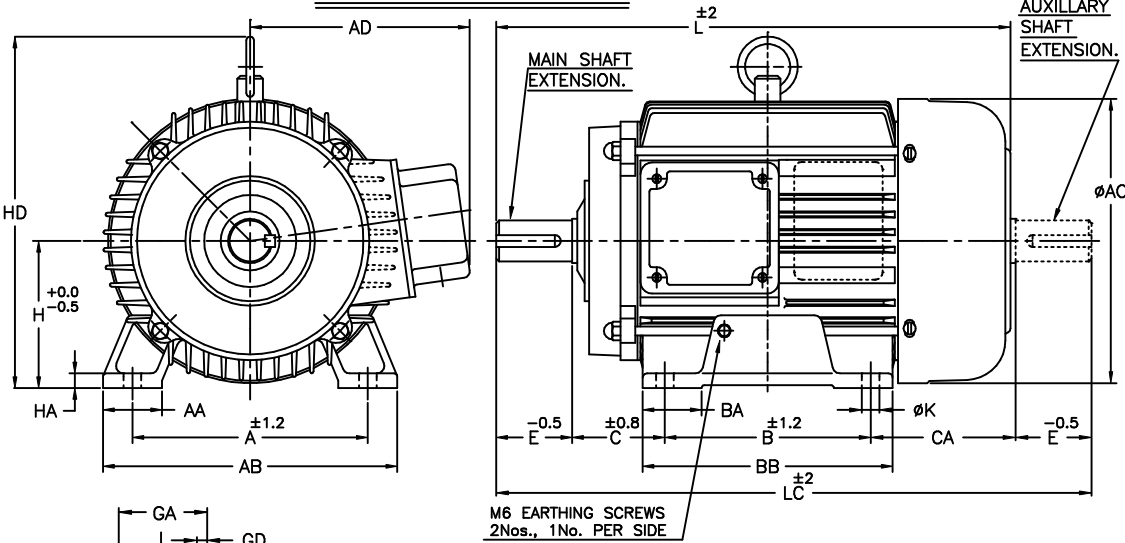


UNMENTIONED TOLERANCES
 LINEAR ABOVE 0 6 315 1000
 DIMENSIONS (SUPTO 6 315 1000 2000
 (MACHINED) TOL. ±0.2 ±0.5 ±0.8 ±1.2
 ANGLES ± 1/2°

ALL INFORMATION CONTAINED IN THIS DOCUMENT IS CONFIDENTIAL AND THE PROPERTY OF KIRLOSKAR ELECTRIC CO.LTD. REPRODUCING OF THESE IN ANY FORM IS TO BE DONE WITH THE SPECIFIC PERMISSION OF THE COMPANY.

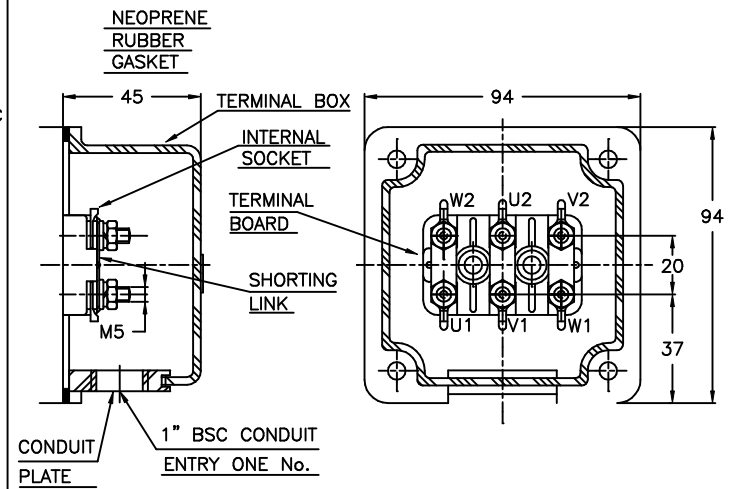
DIMENSIONAL DRAWING



- NOTE :**
1. DIMENSIONS ARE AS PER IS:1231
 2. DEGREE OF PROTECTION: IP:55.
 3. TOLERANCE ON 'D' : k6.
 4. PROTECTED CENTRE HOLE AT SHAFT EXTENSION AS PER IS:2540. "M12 X 28" FOR 'D' - ø38
 5. TERMINAL BOX CAN BE ROTATABLE THROUGH 360° IN STEPS OF 90°.
 6. KEY & KEYWAY ARE AS PER IS:2048 & TOLERANCE ON KEYWAY IS P9.

DETAILS OF MAIN & AUXILIARY SHAFT EXTENSION

TERMINAL BOX ARRANGEMENT



NOTE: MAX. CABLE SIZE : MAIN-1x3Cx16 sqmm.

SL. NO.	FRAME	A	AA	AB	AC	AD	B	BA	BB	C	CA	D	E	F	GA	GD	H	HA	HD	K	L	LC
1	PM 132S	216	40	256	260	180	140	40	180	89	137	38	80	10	41	8	132	17	308	12	442	526
2	PM 132M						178		218												480	564

Z122619100JR

SURFACE ROUGHNESS (MAX) AS PER KSD-02-027
 Rg 0.1 0.2 0.4 0.8 1.6 3.2 6.3 12.5 25 50
 OLD NEW
 UC: CHAM: UNMENTIONED

1	-	0122209	REDRAWN IN A NEW FORMAT.	Sd/-	10/01/09	QA MARKETING PRODUCTION
REV.	ZONE	DCN.No.	BRIEF RECORD	SIGNATURE	DATE	PRINTS ISSUED TO
8	7	6	5			

THIS SUPERSEDES FROM dt AS PER DCN No.....
 THIS SUPERSEDED BY FROM dt AS PER DCN No.....

MATERIAL SPECIFICATION	RAW MATERIAL SIZE	WEIGHT kg
		RM FIN.
		- -

CASTING/FAB REF. _____ No.P.S.: -
 USED ON _____ REDRAWN _____ CHECKED _____ STANDARD _____ APPROVED _____

SCALE: NTS

PM132

TITLE: **DIMENSION SHEET**

32261998R1

SHEET ONE OF ONE

KIRLOSKAR ELECTRIC COMPANY LTD. HUBLI-580030 (INDIA)

FORM No. 02 201 028 (ISSUE 7)